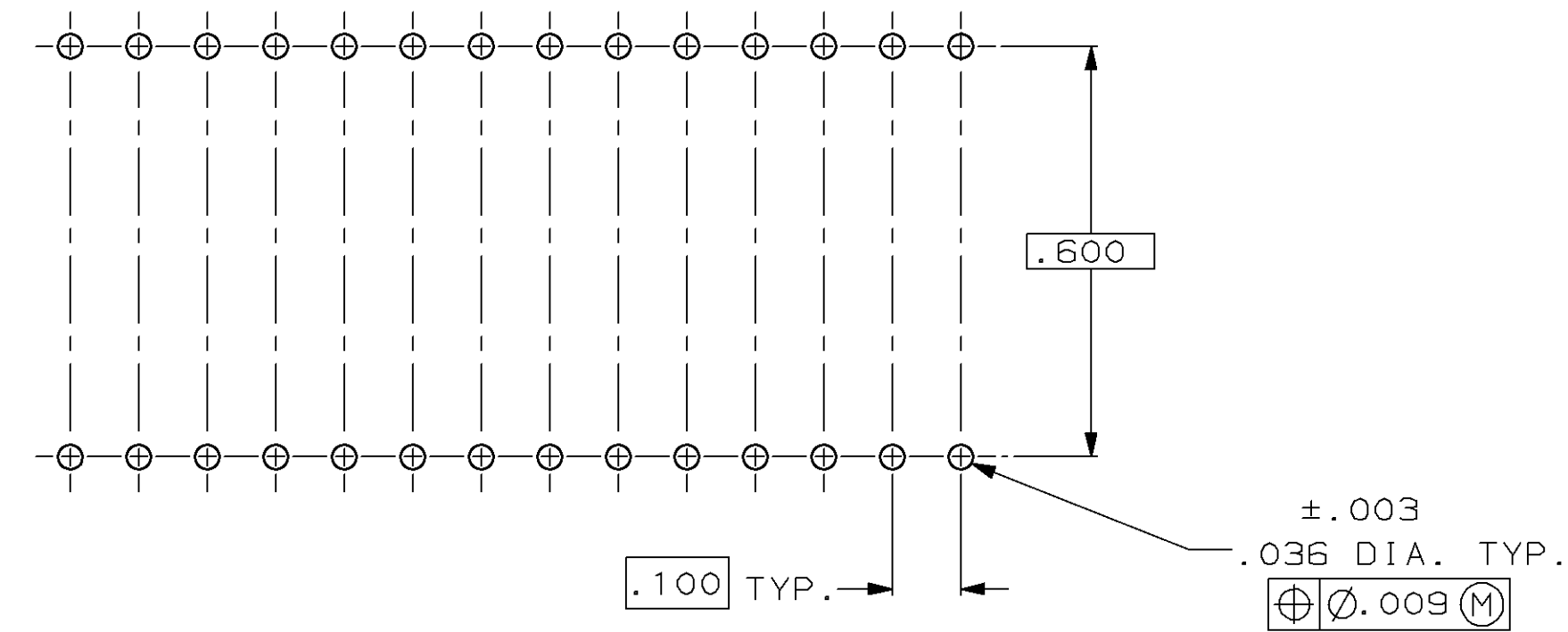
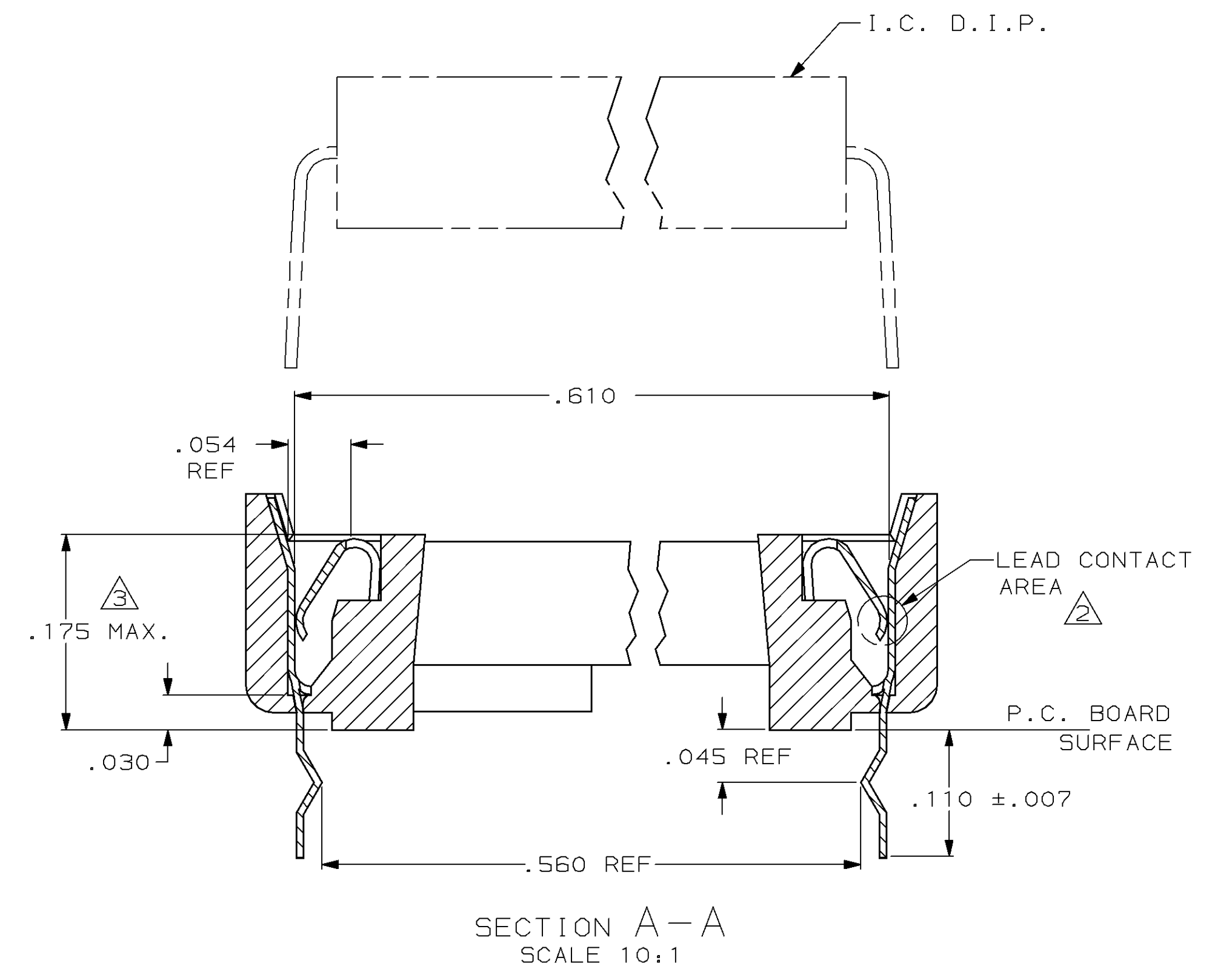
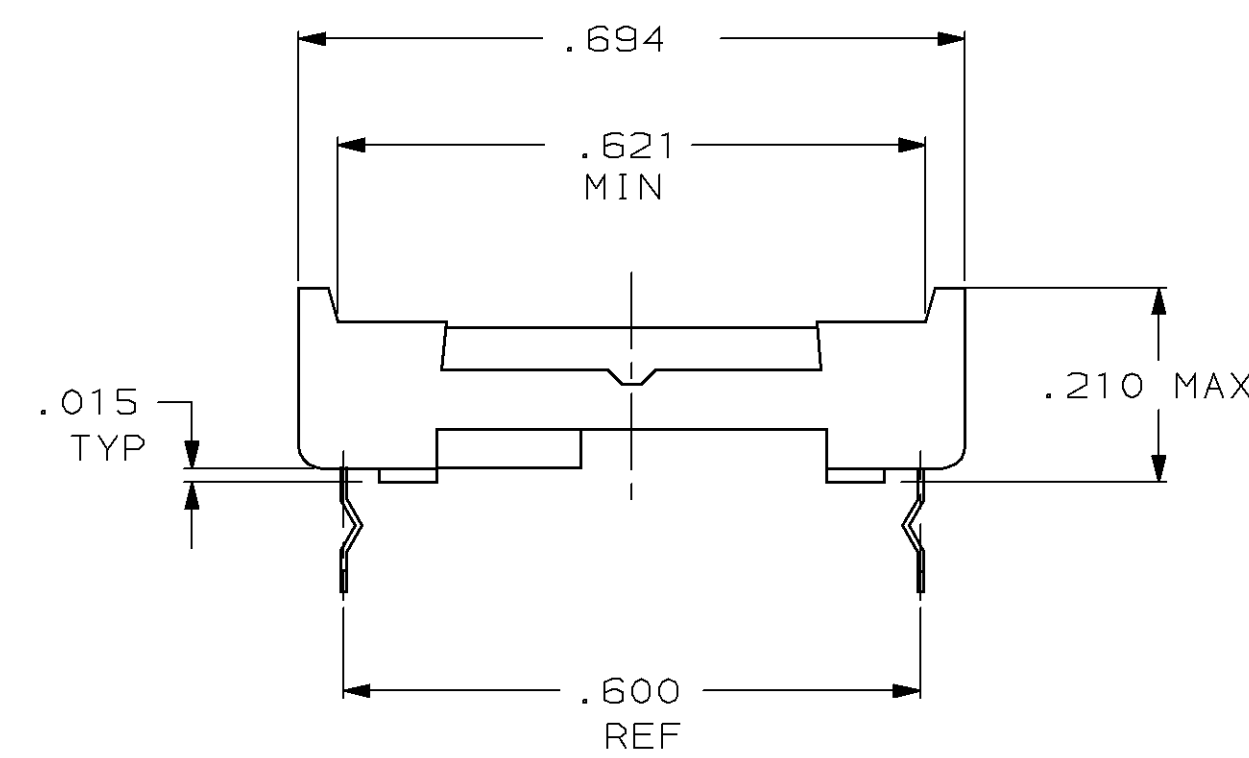
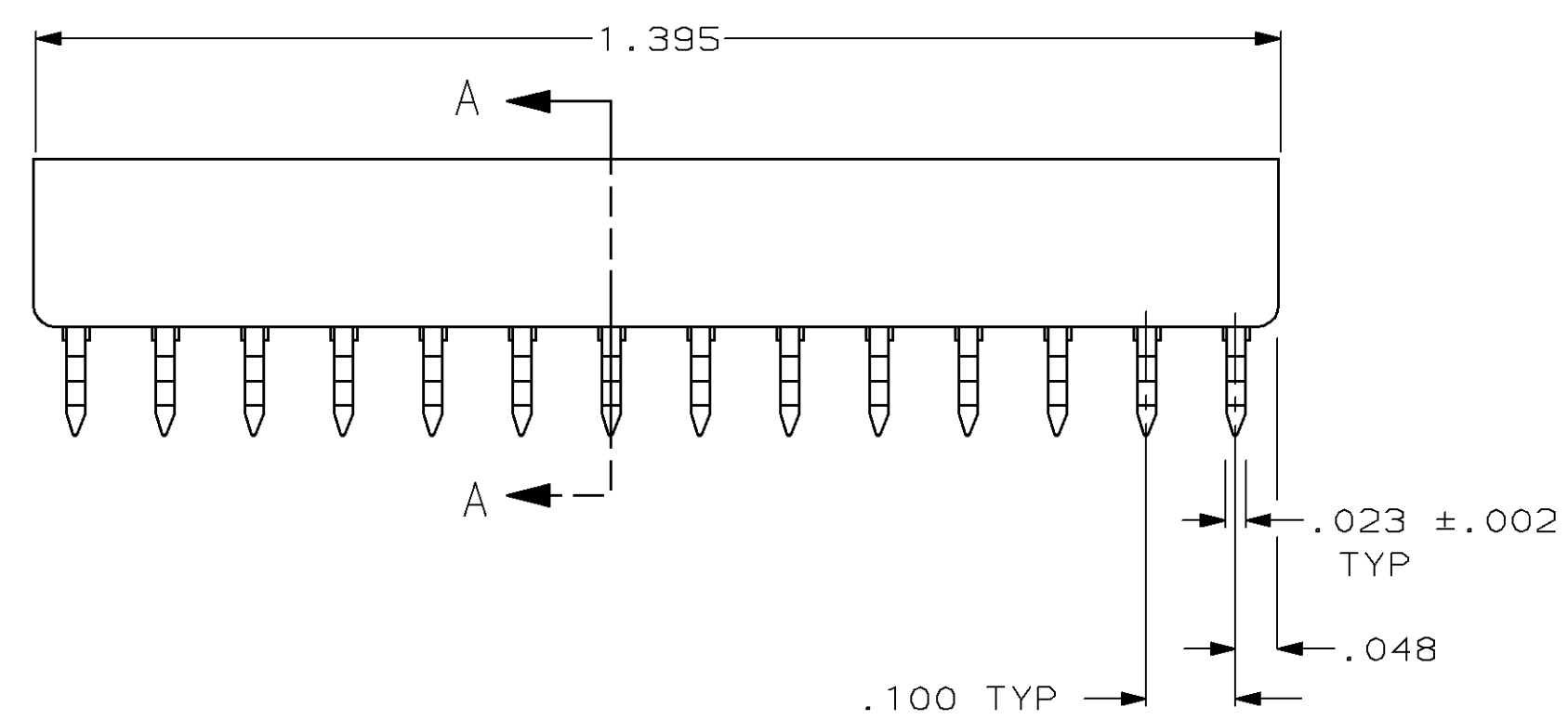
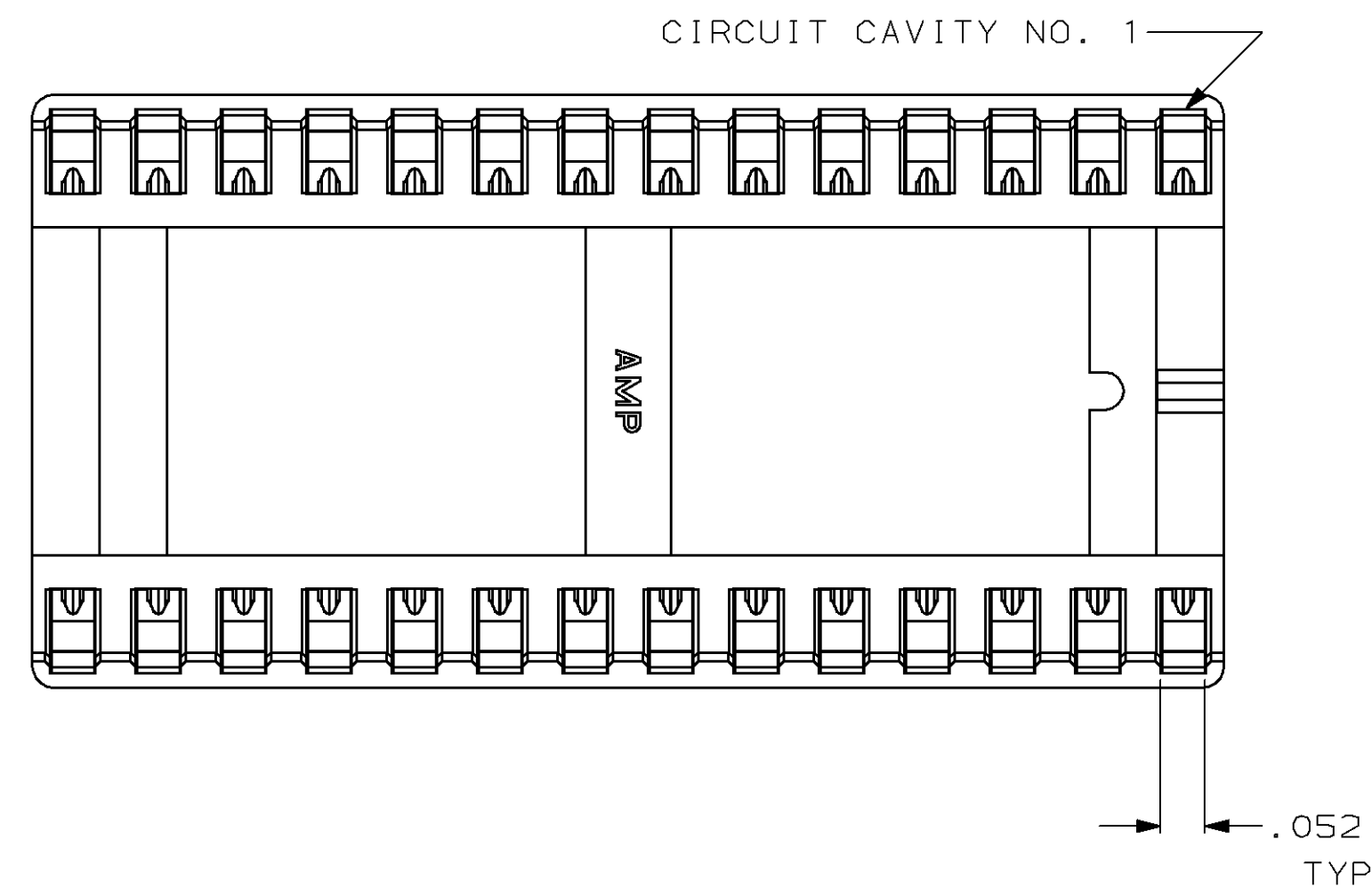


LOC		DIST		REVISONS		DATE	APPD
FT	64	P	F	ZONE	LTR	DESCRIPTION	RT
				F1		RE-DISTRIBUTED	8-17-95
				G		REV PER EC 0320-138-97	01 MAY 97

- RECEPTACLE ACCEPTS A .008-.014 THICK I.C. LEAD.
- TWO .000030 MIN THK. GOLD STRIPES IN CONTACT AREA WITH TIN-LEAD (93/7) ON CONTACT LEGS, BALANCE OF CONTACT NICKEL PLATED.
- MAXIMUM DIMENSION FOR I.C. SEATING PLANE.



RECOMMENDED MOUNTING HOLE PATTERN
SCALE 4:1

OBSOLETE	BE.CU. .006 THK	GLASS-FILLED THERMOPLASTIC, 94V-0, BLACK	641856-2
	TINNED	GLASS-FILLED THERMOPLASTIC, 94V-0, BLACK	641856-1
CONTACT FINISH	CONTACT MAT'L	HOUSING MATERIAL	PART NO.

UNLESS OTHERWISE SPECIFIED DIMENSIONS ARE IN INCHES TOLERANCES ON :		DR	M.CYRUS	6-11-87	PART NO	
2 PL DEC ± .		CHK	R.MILLER	6-18-87	AMP INCORPORATED Harrisburg, Pa. 17105	
3 PL DEC ± .005		APPD	J.LAMBERT	6-18-87		
ANGLES ± .		APPD			NAME	
MATERIAL	SEE TABLE	PRODUCT SPEC	108-1066		SOCKET ASSY, DIP, LADDER, SHORT RET LEG, 28 POS, DIPLOMATE™ DL	
FINISH	SEE TABLE	APPLICATION SPEC	114-1049		SIZE	F5CM NO
		WEIGHT	-		D	00779
					DRAWING NO	641856
					SCALE	5:1
					SHEET	1 OF 1